



Insulated Structures

Efficiency At Work

UPRIGHT LOFTY – KITTED FOR MEAT



Standard Specifications

- 5 x Lit Stainless Steel Shelves
- Front Glass
- Front Fences
- Shaded Pole Fans
- Valves (Brass Thermostatic)
- 2 x Probes (Air Off & Defrost)

- Standard Coil
- Aluminum Ticket Rails
- Electronic Display
- Canopy LED Lights
- Ceiling LED for Top Shelf

Optional Specifications

- 40mm Patch Ends with Full Recessed Mirrors
- 40mm Lofty Patch Ends with Glass
- Cladding Options: Refer to Cladding Details Document (Available on Request)
- ECM Fans
- Manual Night Blinds
- Top Mirrors

Leaders in world class innovation for bespoke end to end energy efficient refrigeration solutions



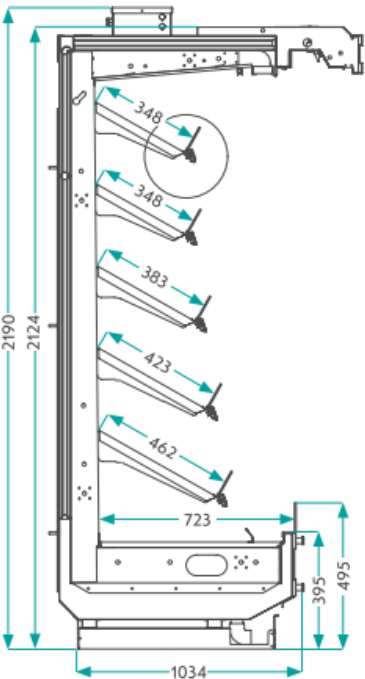
Insulated Structures
Efficiency At Work



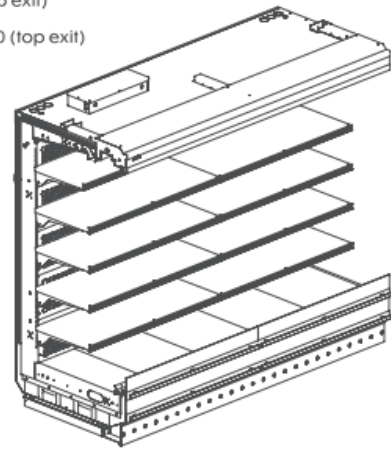
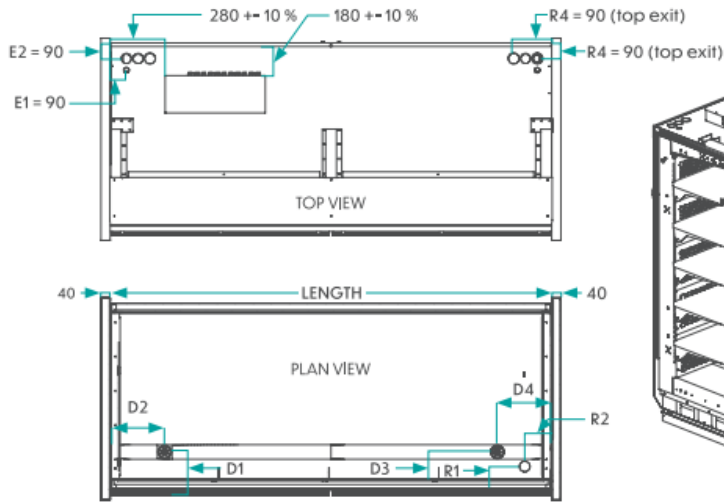
Insulated Structures

Efficiency At Work

UPRIGHT LOFTY – KITTED FOR MEAT



SIDE SECTION VIEW



Physical Properties			Drain & Refrigeration Points					
Size	Length (m)	TDA (m ²)	D1	D2	D3	D4	R1 (Btm Exit)	R2 (Btm Exit)
4ft	1.220	2.20	200mm	610mm	-	-	120mm	150mm
6ft	1.830	3.30	200mm	915mm	-	-	120mm	150mm
7ft	2.130	3.85	200mm	300mm	200mm	300mm	120mm	150mm
8ft	2.440	4.40	200mm	300mm	200mm	300mm	120mm	150mm
12ft	3.660	6.61	200mm	300mm	200mm	300mm	120mm	150mm

Refrigeration Requirements		
Product	Refrigeration	Evaporation Temp
Dairy	480W/ft	-6 °C
Meat	480W/ft	-8 °C

Electrical Specifications					
Size	Evaporator Fans	Heaters	Heaters	Lighting	Lighting
	Fan Blade + Motor	Anti-Sweat	Defrost	Case (T8 Tubes)	Shell (T8 Tubes)
4ft	2x230-31°/60W (SPM) or 24W (ECM)	1x7W/mx2.0m	1x800W	2x3ft = 60W	5x3ft = 150W
6ft	3x230-31°/60W (SPM) or 24W (ECM)	1x7W/mx3.2m	1x1200W	4x5ft = 116W	5x5ft = 290W
7ft	3x230-31°/60W (SPM) or 24W (ECM)	1x7W/mx4.1m	1x1300W	4x3ft = 120W	10x3ft = 300W
8ft	4x230-31°/60W (SPM) or 24W (ECM)	1x7W/mx4.88m	1x1600W	2x4ft+2x3ft = 132W	10x3ft = 300W
12ft	6x230-31°/60W (SPM) or 24W	1x7W/mx7.3m	2x1200W	4x4ft+2x3ft = 204W	15x3ft = 450W

Leaders in world class innovation for bespoke end to end energy efficient refrigeration solutions

